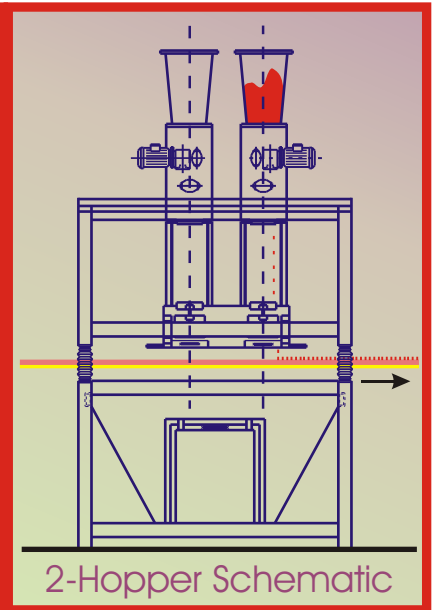


Typical 6-Hopper Electrostatic Flocking Unit



EACH 2-HOPPER MODULE WILL COMPRISE:-
Flock Pre-Feeders, Stirrers & Transparent Enclosure
Flock Deposition Hoppers with Rotating Brush
Easily Removable Electrostatic Screens
Support Bars, Beater Bars & Over-Spray Collection Bin
Extraction Slot & Cyclone Systems
Appropriate Framework & Access Doors
One Electrostatic Generator for each Pair of Hoppers

Thermally Lined Curtains, Black-out Fabrics etc
can be produced with a 2-Hopper Module
For Velour Fabrics 3 or 4 Modules will be required, together with an

The exact Machine Configuration will be dependent upon

- The end product to be produced
- The size of the drying oven
- The running speed required